

TEAC

SERVICE MANUAL

PD-D2610

Compact Disc Charger



NOTES

- PC board shown are viewed from parts side.
- The parts with no reference number or no parts number in the exploded views are not supplied.
- As regards the resistors and capacitors, refer to the circuit diagrams contained in this manual.
- ⚠ Parts marked with this sign are safety critical components. they must be replaced with identical components - refer to the appropriate parts list and ensure exact replacement.
- Parts of [] mark can be used only with the version designated.
[T/C]: U.S.A [E]: Europe [UK]: U.K.

CONTENTS

1 SAFETY INFORMATION	2
2 SPECIFICATIONS	3
3 EXPLODED VIEW AND PARTS LIST	4
4 PC BOARDS AND PARTS LISTS	6
5 WIRING DIAGRAM	10
6 INCLUDED ACCESSORIES	12

PD-D2610

1 SAFETY INFORMATION

SAFETY INFORMATION

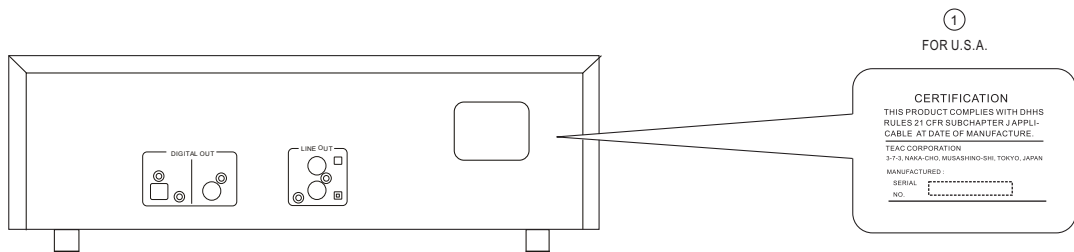
This product has been designed and manufactured according to FDA regulations "title 21, CFR, chapter 1, subchapter J, based on The Radiation Control for Health and Safety Act of 1968" and is classified as class 1 laser product. There is not hazardous invisible laser radiation during operation because invisible laser radiation emitted inside of this product is completely confined in the protective housings. The label required in this regulation is shown ①.

• **CAUTION**

USE OF CONTROLS OR ADJUSTMENT OR PERFORMANCE OF PROCEDURES OTHER THAN THOSE SPECIFIED HEREIN MAY RESULT IN HAZARDOUS RADIATION EXPOSURE.

DO NOT REMOVE THE PROTECTIVE HOUSING USING SCREWDRIVER.

IF THIS PRODUCT DEVELOPS TROUBLE, MAKE A CONTACT WITH OUR SERVICEMAN, AND DO NOT USE THE PRODUCT A TROUBLED STATE.



Optical pickup:

Type : DA11T3CNF

Manufacturer : SANYO Electro-Co., Ltd

Laser output : Less than 0.5 mW on the objective lens

Wavelength : 765 - 815 nm

2 SPECIFICATIONS

CD Player Section

Pick up	3-beam laser
D/A converter :	Dual 1-bit linear
Digital filter:	4-times oversampling
Frequency Response:	20 Hz - 20kHz, +/-2dB
Total Harmonic Distortion:	Less than 0.02% (1 kHz)
Signal-to-Noise Ratio(S/N):	More than 100 dB
Channel separation:	More than 85 dB (1 kHz)
Output:	Analog: 2.1 Vrms (RCA) Digital: COAXIAL/TOS OPTICAL

GENERAL

Power Requirements:	120V AC,60Hz (U.S.A/Canada Model) 230V AC,50Hz (European Model)
Power Consumption:	12 W
Dimension (W x H x D):	435 x 115 x 390 mm
Weight:	6.2kg
Operating temperature:	+5°C - +35°C
Operating humidity:	5% to 85% (no condensation)
Storage temperaturer:	-20°C - +55°C

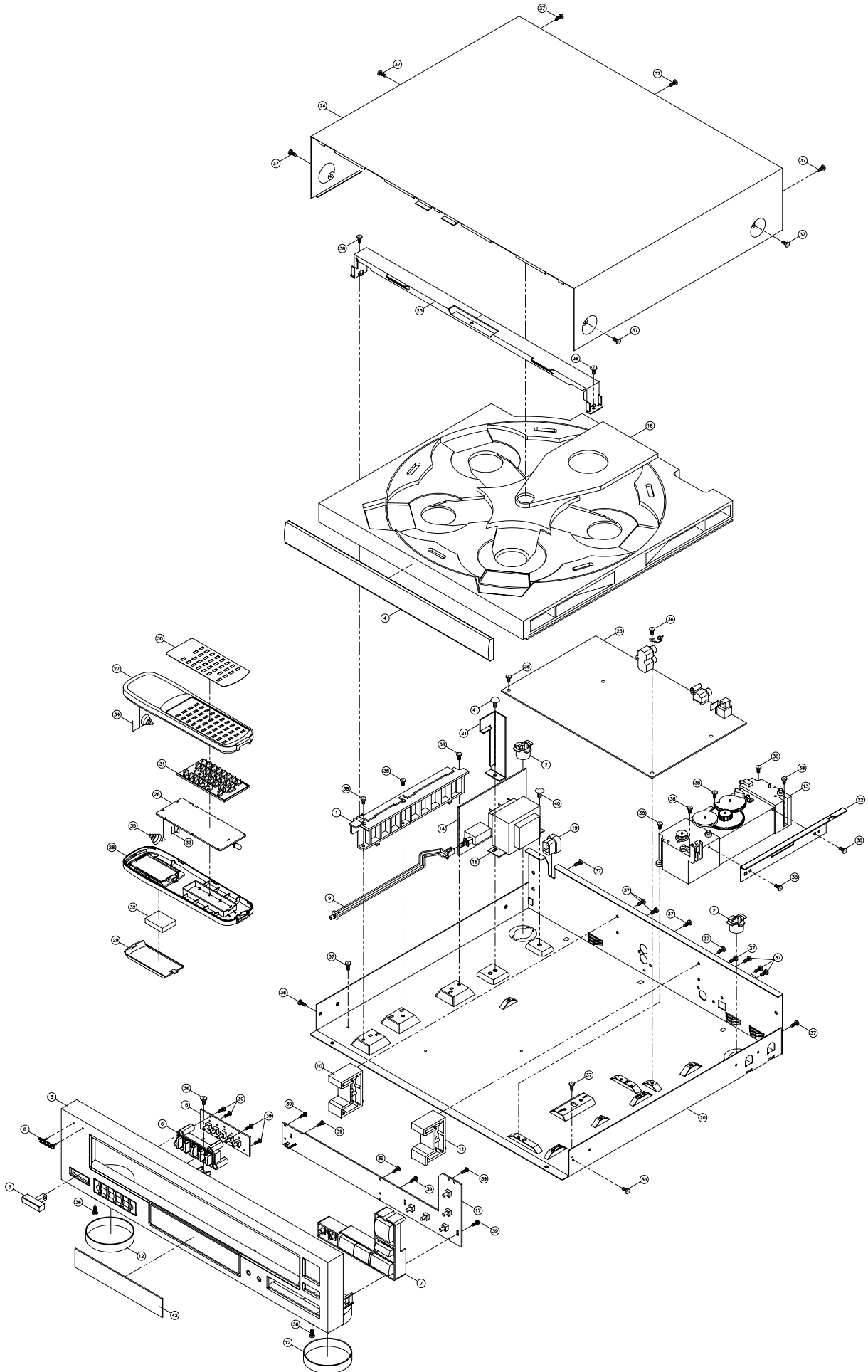
Standard Accessories:

RCA cable x 1
Warranty Card x 1
Owner's manual x 1
Remote Control x 1
Battery (AA)x 2



- Design and specifications are subject to change without notice.
- Weight and dimensions are approximate.
- Illustrations may differ slightly from production models.

3. EXPLODED VIEWS AND PARTS LIST

EXPLODED VIEW



EXPLODED VIEW-1

REF. NO	PARTS NO.	DESCRIPTION	REMARKS
1-1	56-07D12002B000	BASE LEFT	
1-2	56-09D12000B000	LEG (2)	
1-3	56-012D24101B020	ESCUTCHEON	
1-4	56-14AEI970B020	DECORATION TRAY	
1-5	56-54D12001B000	KNOB PUSH	
1-6	56-54D23900B000	BUTTON 5KEY	
1-7	56-54RC9350B000	BUTTON/PLAY	
1-8	56-58EX0M118020	LOGO BADGE	
1-9	56-60D12000B000	JOINT	
1-10	56-72C40000B000	STOPPER-L	
1-11	56-72C40001B000	STOPPER-R	
1-12	56-88D23900C010	DECORATION	
1-13	06-61D120000000	BASE RIGHT ASSY	
1-14	05-03D261000010	POWER PCB ASSY [E]	
	05-03D261000020	POWER PCB ASSY [UK]	
	05-03D261000000	POWER PCB ASSY [T/C]	
1-15	 18-405HD7200160	TRANSFORMER [E,UK]	
	 18-403C14501160	TRANSFORMER [T/C]	
1-16	05-05D241000000	KEY PCB ASSY	
1-17	05-04D261000000	DISPLAY PCB ASSY	
1-18	06-56D241000000	CD CABINET ASSY	
1-19	43-500000003020	AC CORD BUSHING	
1-20	61-31D261000120	CHASSIS [E,UK]	
	61-31D261000020	CHASSIS [T/C]	
1-21	61-11CD81500020	BRACKET-M CABINET	
1-22	61-11P120000020	BRACKET-M RIGHT	
1-23	61-12P120000020	ANGLE	
1-24	61-30P120010020	COVER	
1-25	05-01D261000000]	COMPLETE MAIN PCB ASSY	
	05-01D261000100		
1-26	05-13D250000000	REMOTE PCB ASSY	
1-27	56-43X20010B000	REMOTE TOP CABINET	
1-28	56-43X20011B000	REMOTE BOTTOM CABINET	
1-29	56-44X20010B000	REMOTE BATTERY DOOR	
1-30	57-33D261000020	REMOTE PLATE	
1-31	58-23X200000121	RUBBER PAD	
1-32	58-82A150000120	SPONGE	
1-33	61-26X200000020	BATTERY CONTACT SPRING (+)	
1-34	61-26X200100020	BATTERY CONTACT SPRING (+-)	
1-35	61-26X200020020	BATTERY CONTACT SPRING (-)	
1-36	66-150230160223	HARDEN SCREW BTTB 3x6mm	
1-37	66-150230180123	HARDEN SCREW BTTB 3x8mm (Blk)	
1-38	66-150230180223	HARDEN SCREW BTTB 3x8mm	
1-39	66-151226180223	HARDEN SCREW BTTV 2.6x8mm	
1-40	66-170240160123	HARDEN SCREW STTB 4x6mm	
1-41	66-171740160223	HARDEN SCREW TT/TH 4x6mm	
1-42	57-47D239000020	WINDOW	

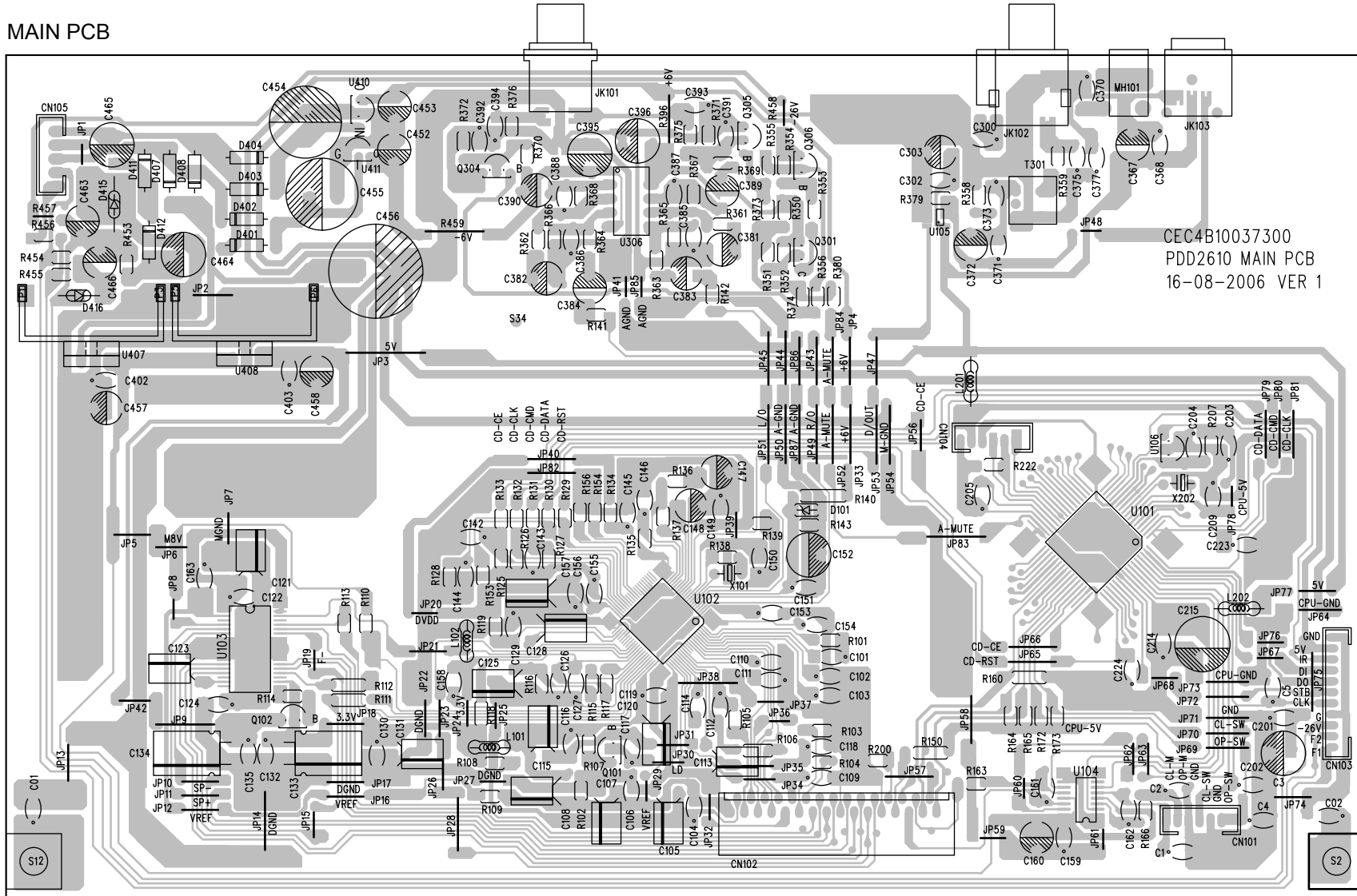
PD-D2610

4 PC BOARDS AND PARTS LIST

MAIN PCB ASSY

REF. NO	PARTS NO.	DESCRIPTION	REMARKS
	05-01D261000000] 05-01D261000100	COMPLETE MAIN PCB ASSY	
	48-01D261000121	MAIN PCB	
C215	⚠ 26-017220650011	E. CAP 2200UF/10V	
C454,455	⚠ 26-017220850011	E. CAP 2200UF/25V	
C456	⚠ 26-170470850211	E. CAP 4700UF/25V	
CN101,104	43-012200160120	WAFER 2MM 6PIN	
CN102	43-022125231120	F.F.C. WAFER 1.25MM 31PIN	
CN103	43-012200211120	WAFER 2MM 11PIN	
CN105	43-012250150120	WAFER 2.5MM 5PIN	
D101	12-011330320125	ZENER DIODE 3.3V	
D401-404,407, D408,411,412	12-1N40010000P1	RECTIFIER DIODE 1N4001	
D416	12-011510320125	ZENER DIODE 5.1V	
D415	12-012300320125	ZENER DIODE 30V	
JK101	43-451200004020	V/RCA JACK 2PIN	
JK102	43-451100002020	RCA JACK 1PIN (YELLOW)	
JK103	17-07GP1F000310	CONVERTOR #GP1FAV50TK0F	
L101,102	38-013220050020	AXIAL INDUCTOR 22UH	
L201,202	38-014100050120	AXIAL INDUCTOR 100UH	
Q101	11-2SA933AS0025	TR - 2SA933AS	
Q102	11-2SB764E00021	TR - 2SB764-E	
Q301	11-9015C0000021	TR - 9015C	
Q304-306	11-2SD1936T0125	TR - 2SD1936T	
T301	40-068660000010	TRANS. PULSE 7.5x5mm	
U101	16-LC87F5JC0021	IC - LC87F5JC8AU	
U102	16-LC78690N0021	IC - LC78690NW-E	
U103	16-LA6548000021	IC - LA6548NH	
U104	16-LB1836M00021	IC - LB1836M	
U105	16-TC7SET320021	IC - TC7SET32F	
U106	16-PST600D00021	IC - PST600D	
U306	16-NJM2068D0021	IC - NJM2068D	
U407	16-KA7808000221	IC - LA7808E	
U408	16-KA7805000121	IC - KA7805E	
U410	16-NJM78L060025	IC - NJM78L06A	
U411	16-NJM79L060021	IC - NJM79L06A	
X101	31-048169300120	RESONATOR ZTT16.93MX	
X202	31-047800000110	RESONATOR ZTT8.00MT	

MAIN PCB






PD-D2610

DISPLAY PCB ASSY

REF. NO	PARTS NO.	DESCRIPTION	REMARKS
	05-04D261000000	DISPLAY PCB ASSY	
	48-04D241000221	DISPLAY PCB	
CN301	43-022200211120	WAFER 2MM 11PIN	
D301-304	12-1SS133T77021	DIODE 1SS133-T-77	
FL301	13-06D241000010	FL DISPLAY #HNA-13SM24	
IC301	16-UPD163110121	IC - UPD16311GC	
S301-307	41-150010020020	TACT SWITCH 6X6MM	
U301	17-05GP10000210	OPTIC SENSER #GP1UM281XK	

POWER PCB ASSY

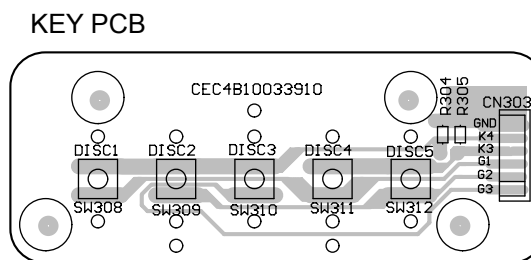
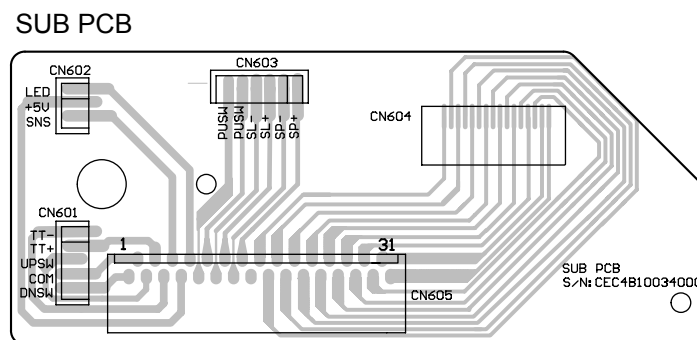
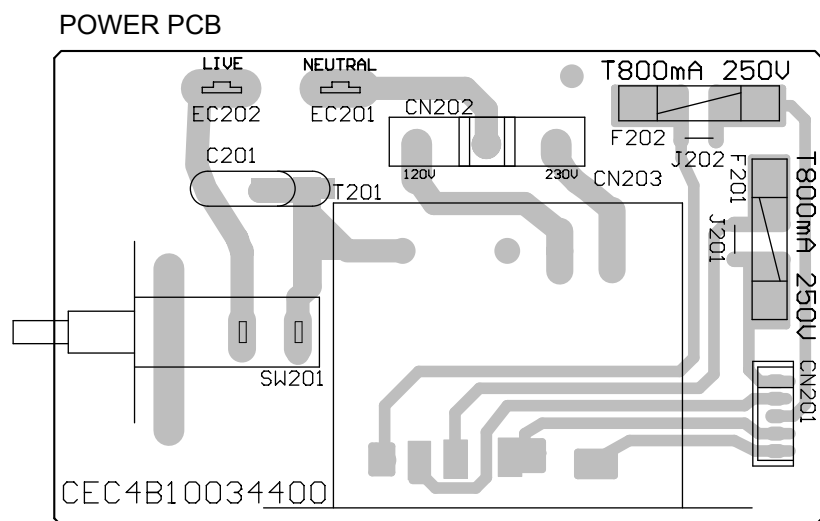
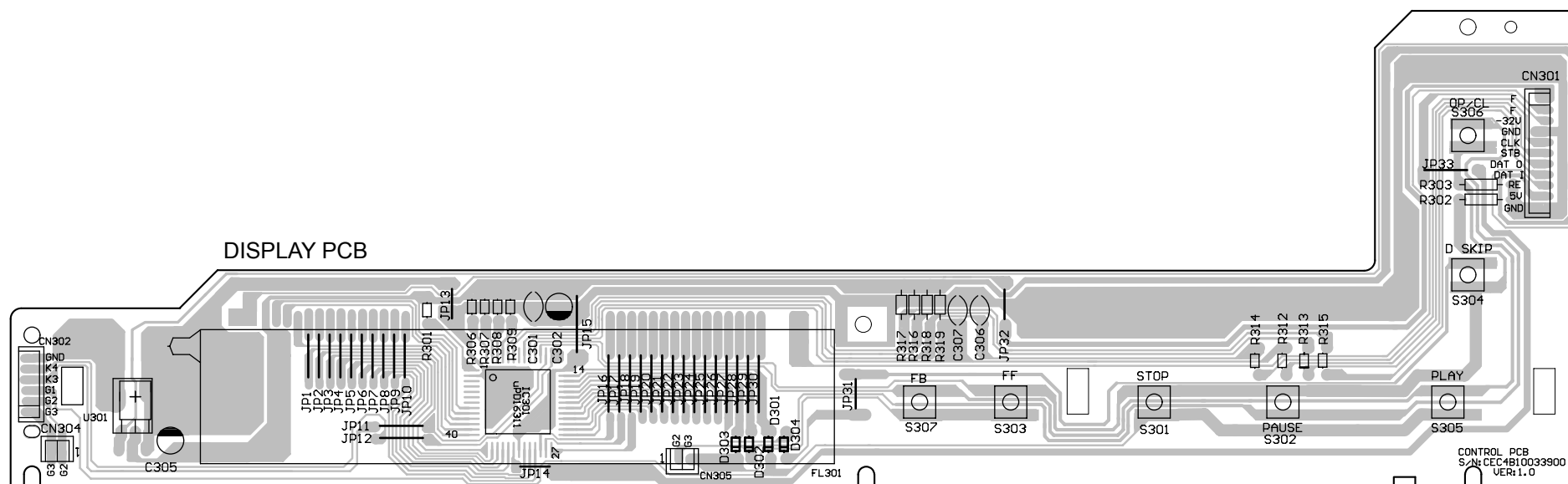
REF. NO	PARTS NO.	DESCRIPTION	REMARKS
	05-03D261000010	POWER PCB ASSY [E]	
	05-03D261000020	POWER PCB ASSY [UK]	
	05-03D261000000	POWER PCB ASSY [T/C]	
	48-3D241000220	POWER PCB	
	 18-405HD7200160	TRANSFORMER EI48 230V [E,UK]	
	 18-403C14501160	TRANSFORMER EI48 120V [T/C]	
F201,202	 46-054800300010	GLASS FUSE T800mA/250V	
SW201	41-191120020010	POWER SWITCH #SY16-12-1	

KEY PCB ASSY

REF. NO	PARTS NO.	DESCRIPTION	REMARKS
	05-05D241000000	KEY PCB ASSY	
	48-22D241000220	KEY PCB	
CN303	43-012200160220	WAFER 2MM 6PIN	
S308-312	41-150010020020	TACT SWITCH 6X6MM	

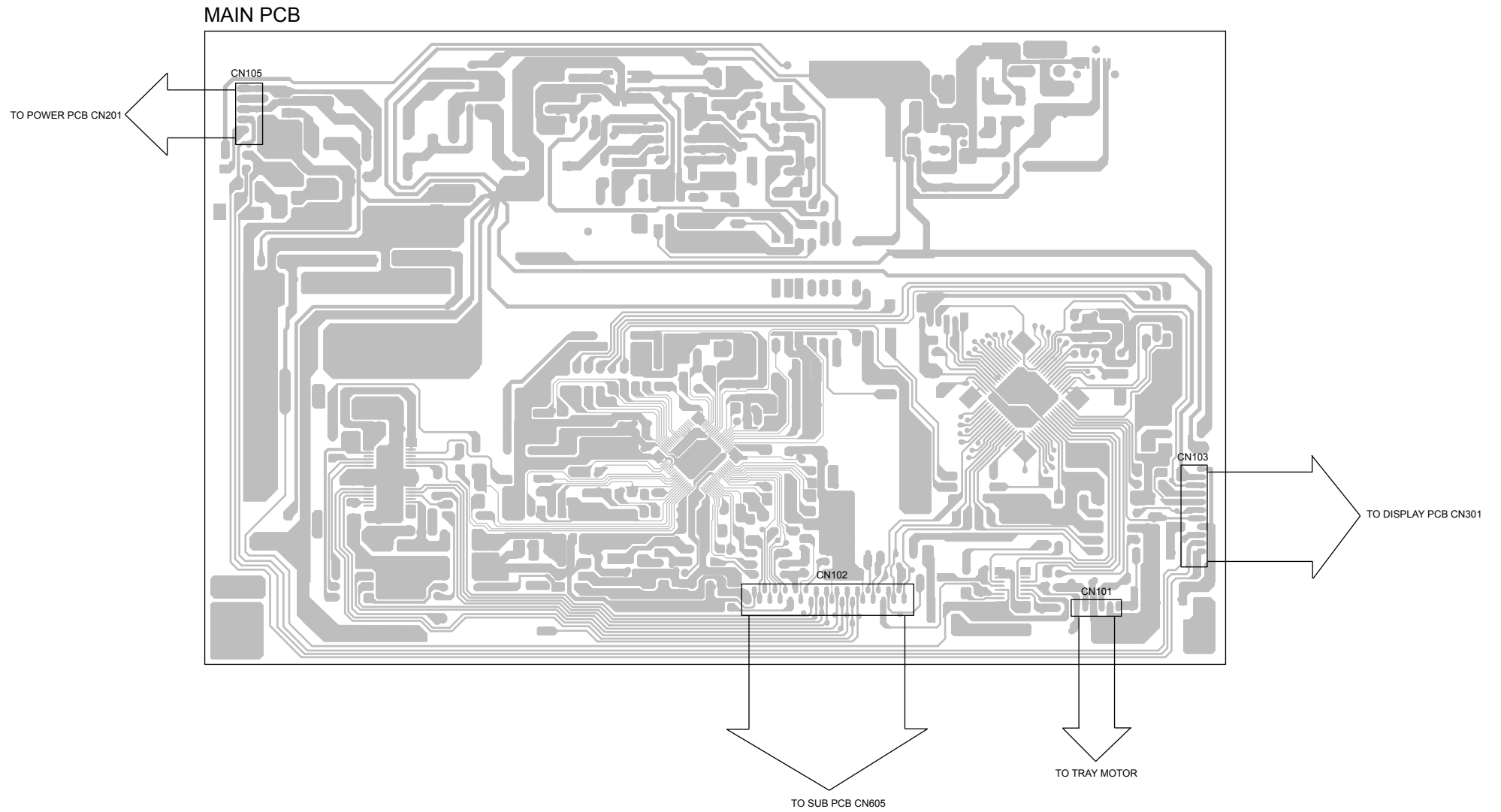
SUB PCB ASSY

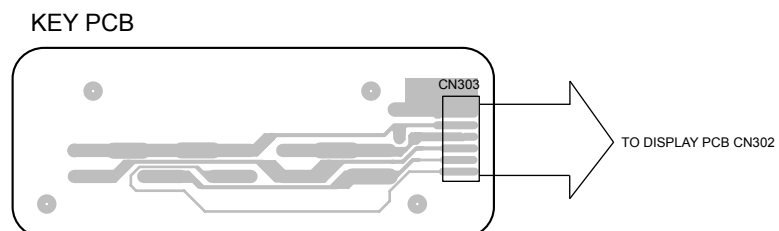
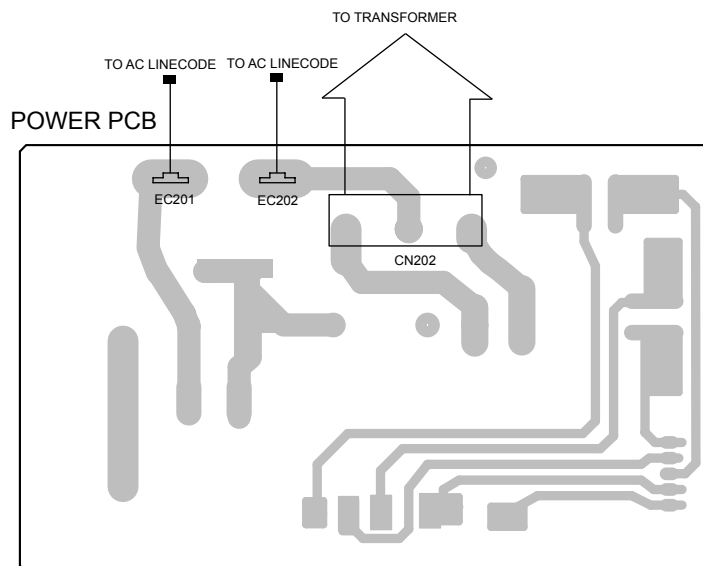
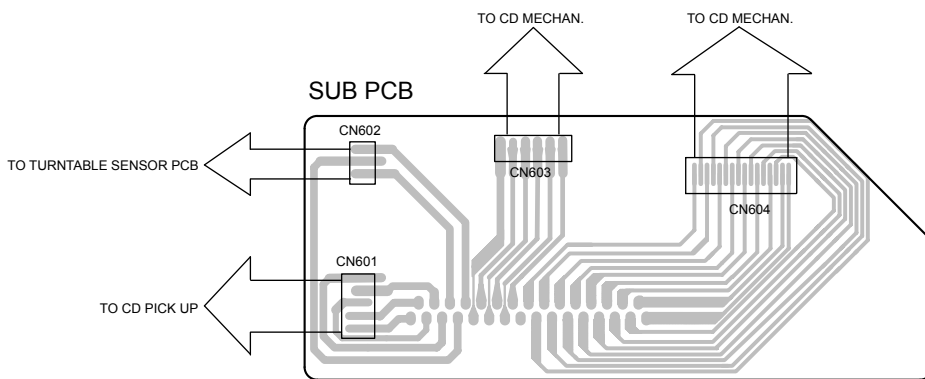
REF. NO	PARTS NO.	DESCRIPTION	REMARKS
	05-32D241000000	SUB PCB ASSY	
	48-32D241000220	SUB PCB	
CN601	43-012200150120	WAFER 2MM 5PIN	
CN602	43-012200130120	WAFER 2MM 3PIN	
CN603	43-012200160120	WAFER 2MM 6PIN	
CN604	43-022100216520	SMD F.F.C WAFER 1MM 16PIN	
FC31	43-022125231120	F.F.C. WAFER 1.25MM 31PIN	



PD-D2610

5 WIRING DIAGRAM





PD-D2610

6 INCLUDED ACCESSORIES

INCLUDED ACCESSORIES

REF. NO	PARTS NO.	DESCRIPTION	REMARKS
	77-20D261000020	INSTRUCTION MANUAL-E/F/SP [E,UK,T/C]	
	77-20D261000120	INSTRUCTION MANUAL-3 LAN [E,UK]	
	45-203840005220	RCA PLUG CORD 2PIN	
	51-011150300010	BATTERY 1.5V AA/UM-3	
	02-17D261000000	REMOTE CONTROL	

PD-D2610

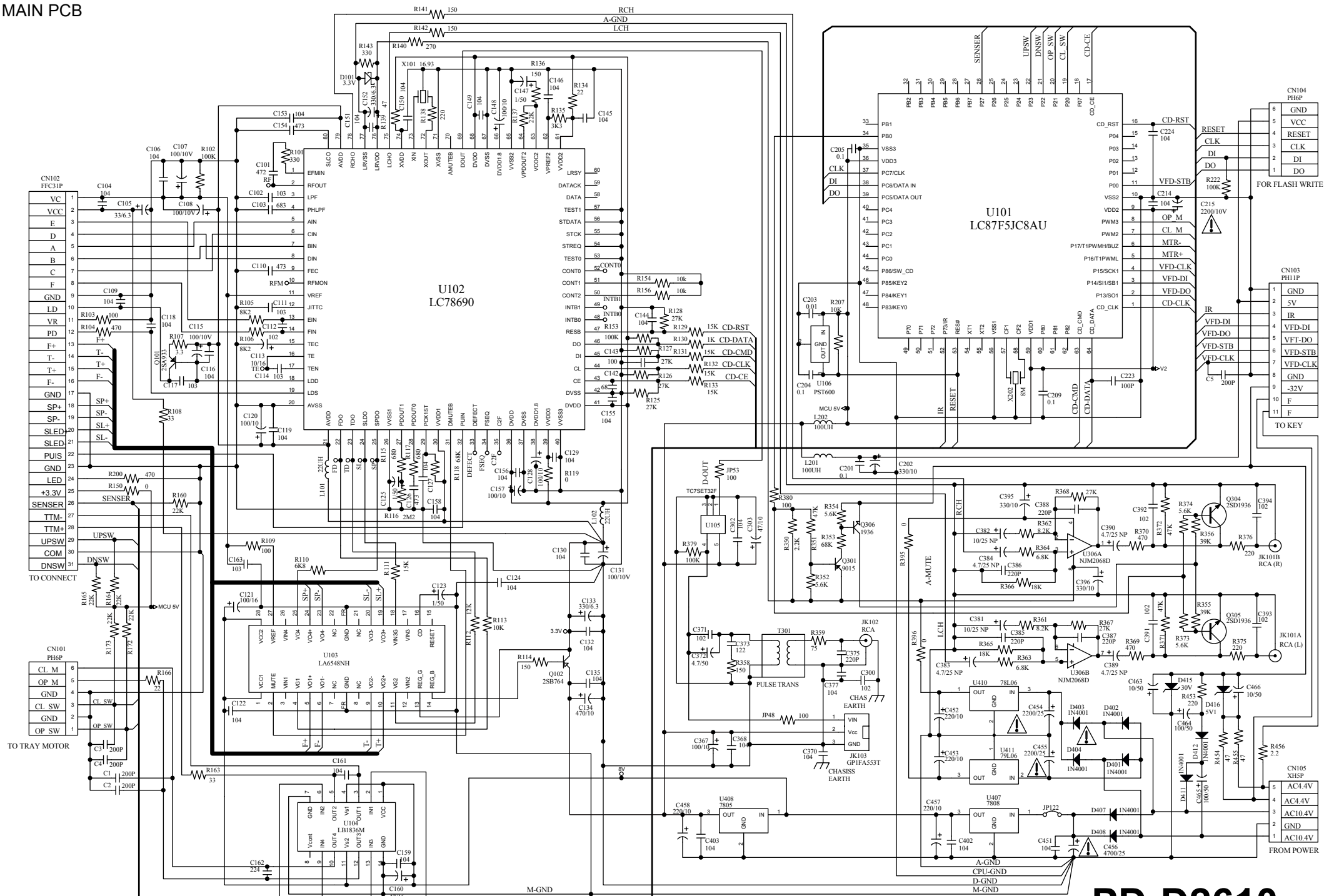
TEAC

TEAC CORPORATION	3-7-3 Nakacho, Musashino-shi, Tokyo 180-8550, Japan Phone:(0422)52-5081
TEAC AMERICA, INC.	7733 Telegraph Road, Montebello, California 90640 Phone: (323)726-0303
TEAC CANADA LTD.	5939 Wallace Street, Mississauga, Ontario L4Z 1Z8, Canada Phone: (905)-890-8008
TEAC MEXICO, S.A.De C.V.	Campesinos N°184, Colonia.Granjas Esmeralda, Delegacion Iztapalapa, CP 09810, Mexico DF Phone: (525)-581-5500
TEAC UK LIMITED	Unit 19 & 20, The Courtyards, Hatters Lane, Watford, Hertfordshire, WD18 8TE5, U.K. Phone:(0845) 130-2511
TEAC EUROPE GmbH	Bahnstrasse 12, 65205 Wiesbaden-Erbenheim, Germany Phone: 0611-71580
TEAC ITALIANA S.p.A.	Via C, Cantu 9/A, 20092 Cinisello Balsamo, Milano, Italy Phone:02-66010550
TEAC AUSTRALIA PTY., LTD.	280 William Street, Melbourne VIC 3000, Australia Phone:(03)9672-2400
A.B.N. 80 005 408 462	

JAN 2007

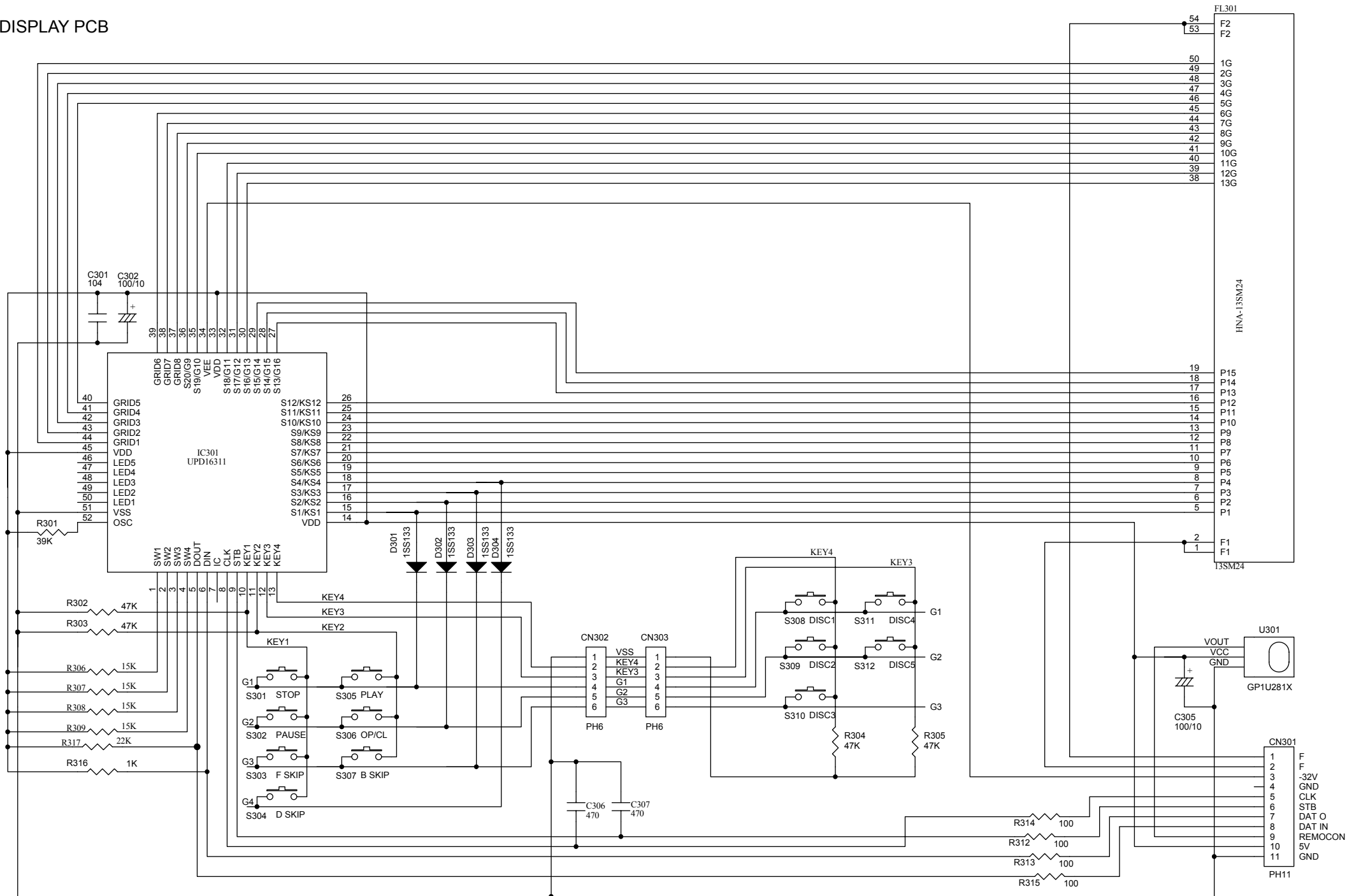
PREPARED IN HONG KONG

MAIN PCB



PD-D2610
Compact Disc Changer

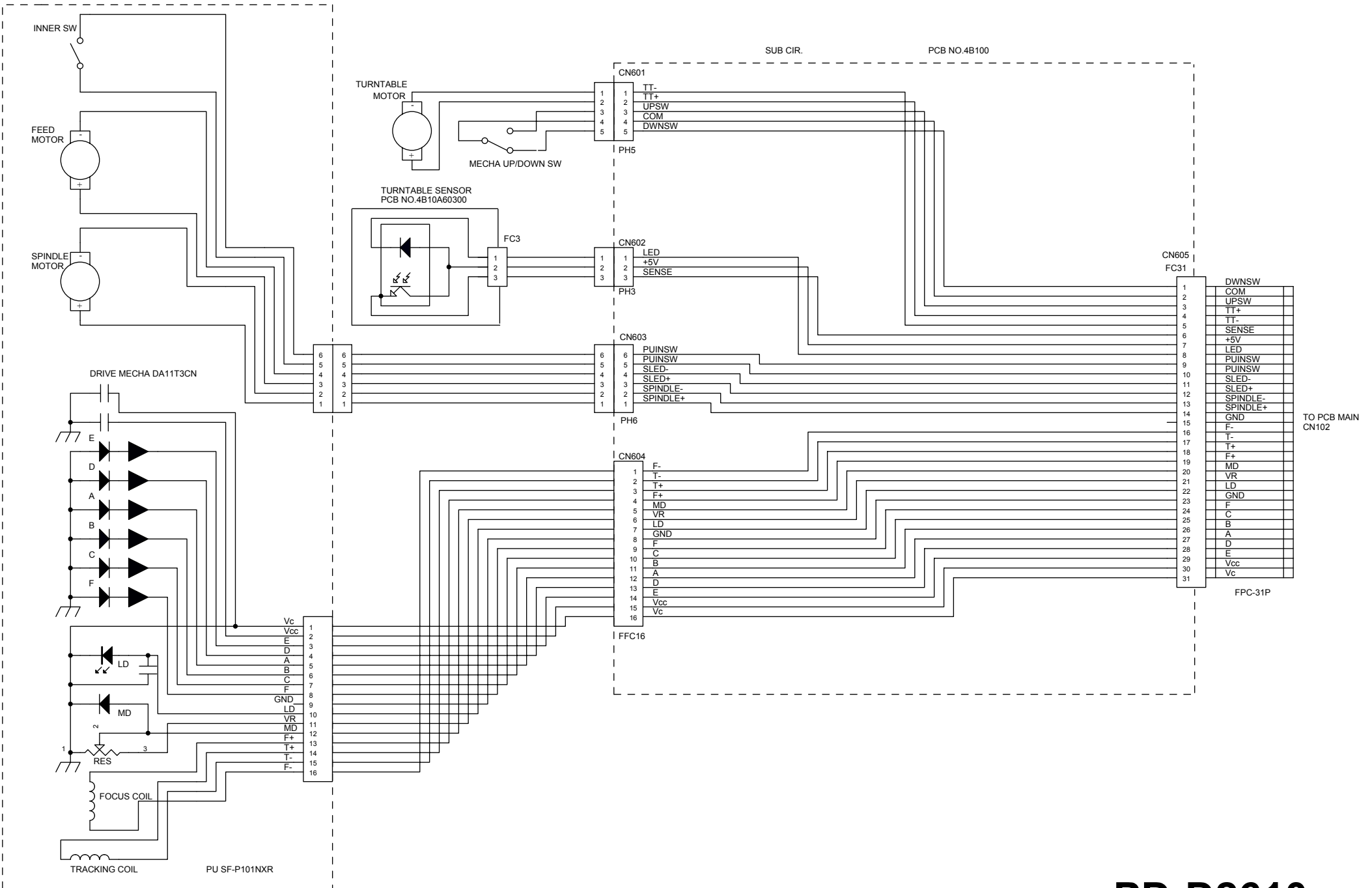
DISPLAY PCB



PD-D2610
Compact Disc Changer

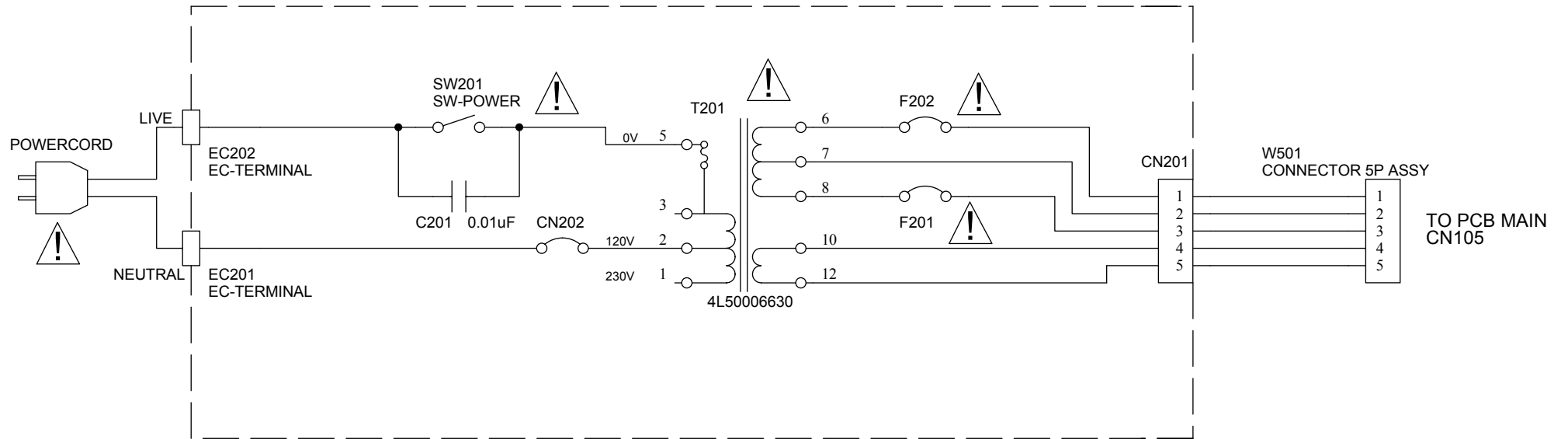
CDK93V4 MECHA

SUB PCB



PD-D2610
Compact Disc Changer

POWER PCB



PD-D2610
Compact Disc Changer